

Cat.6 Wall Outlet 2 x RJ45 STP

Art no.: NP0125

Technical Features

CAT6 ClassE 250MHz, EIA/TIA 568B.2-1

LSA Terminal Code T568 A/B, for AWG22-24 Solid Cable

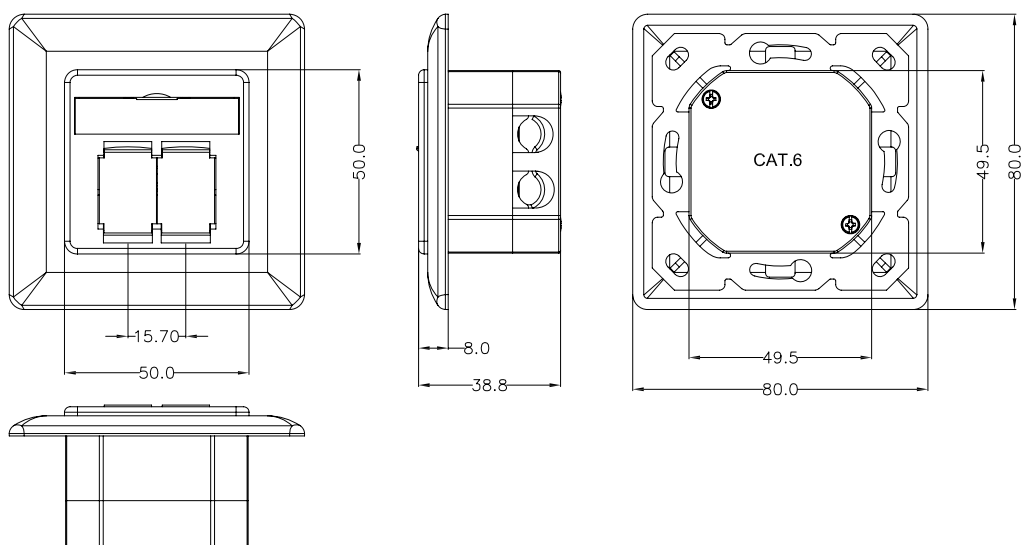
Horizontal Cable Entry, Flush Mount Installation

Color: Signal white RAL 9003

Supports PoE, PoE+ and PoE++

Suitable surface back box: NP0221

Technical Drawing



NP0125



4 052792 028652

Made in China

www.logilink.de



RoHS
compliant

*The specifications and pictures are subject to change without prior notice.
*All trade names referenced are the registered trademarks of their respective owners.

Package Content

CAT6 Wall Outlet 2 x RJ45 STP x 1

Packaging Information

Packing Dimension	mm
Packing Weight	kg
Carton Dimension	360 x 360 x 300mm
Carton Q'ty	64pcs
Carton Weight	15kg

NP0125



4 052792 028652

Made in China

www.logilink.de



RoHS
compliant

*The specifications and pictures are subject to change without prior notice.
*All trade names referenced are the registered trademarks of their respective owners.