



Solid Cable U/UTP Cat.5e EconLine

Technical Features

Category 5e

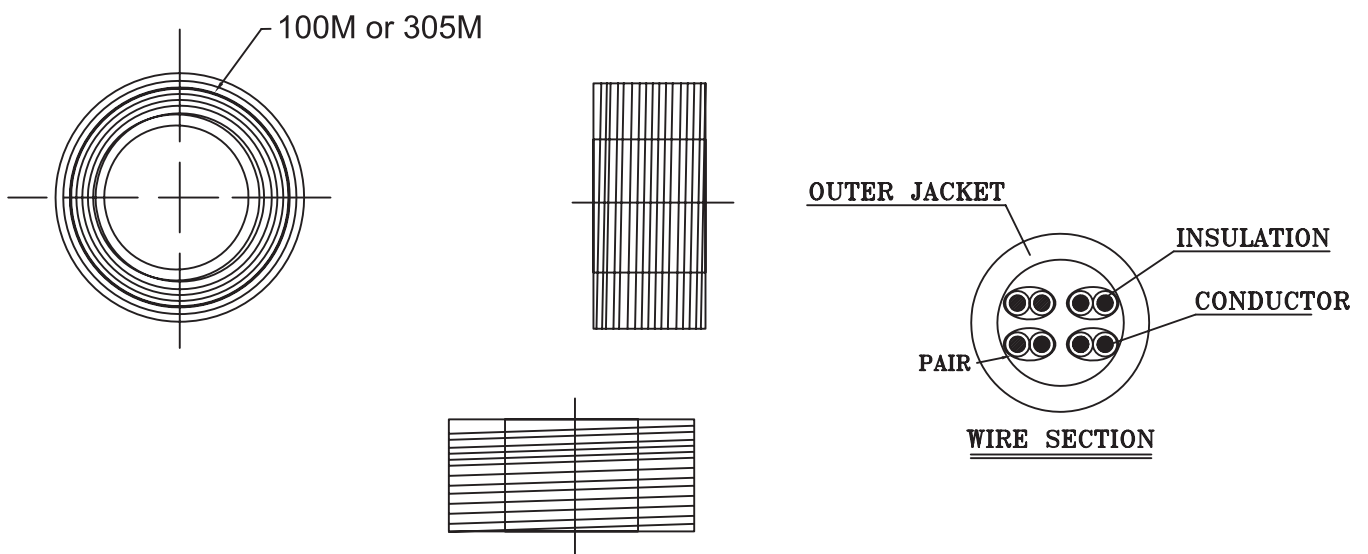
AWG 24 CCA

Unshielded

PVC Jacket

Grey

Technical Drawings



www.logilink.com



RoHS
compliant



Made in China

* The specifications and pictures are subject to change without notice.
*All trade names referenced are the registered namework of their respective owners.

Length	Part no.	EAN Code
100 m	CPV0019	4260113565506
305 m	CPV0020	4260113565520
500 m	CPV0119	4052792030327

Package Contents

Solid Cable U/UTP Cat.5e EconLine x 1

Packaging Informations(CPV0019)

Packing Dimension	225 x 225 x 100mm
Packing Weight	1.84kg
Carton Dimension	470 x 240 x 320mm
Carton Q'ty	6pcs
Carton Weight	14.4kg

Packaging Informations(CPV0020)

Packing Dimension	350 x 350 x 205mm
Packing Weight	5.6kg
Carton Dimension	440 x 370 x 370mm
Carton Q'ty	2pcs
Carton Weight	13kg



Packaging Informations(CPV0119)

Packing Dimension	30 x 35mm
Packing Weight	13.8kg
Carton Dimension	320 x 320 x 380mm
Carton Q'ty	1 pcs
Carton Weight	14.8kg



Made in China

www.logilink.com



RoHS
compliant



* The specifications and pictures are subject to change without notice.
*All trade names referenced are the registered namework of their respective owners.