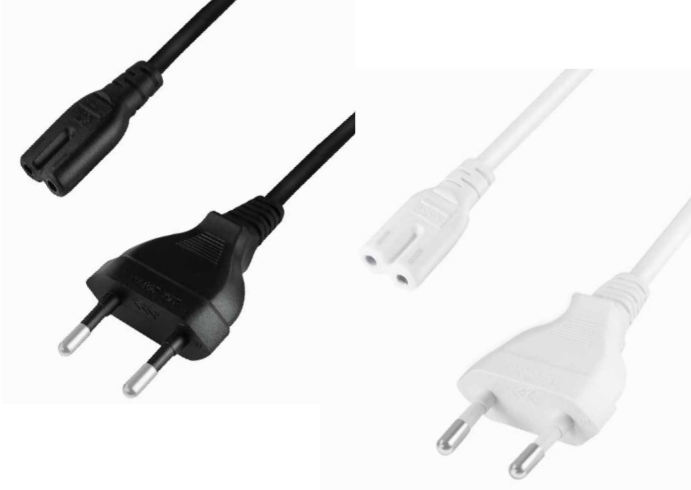


# LogiLink®

## Power Cable

Euro Plug to IEC C7 Socket

Art. No.: CP092  
CP092W



This power cable is perfect to connect your end devices with standard Euro8 connection.

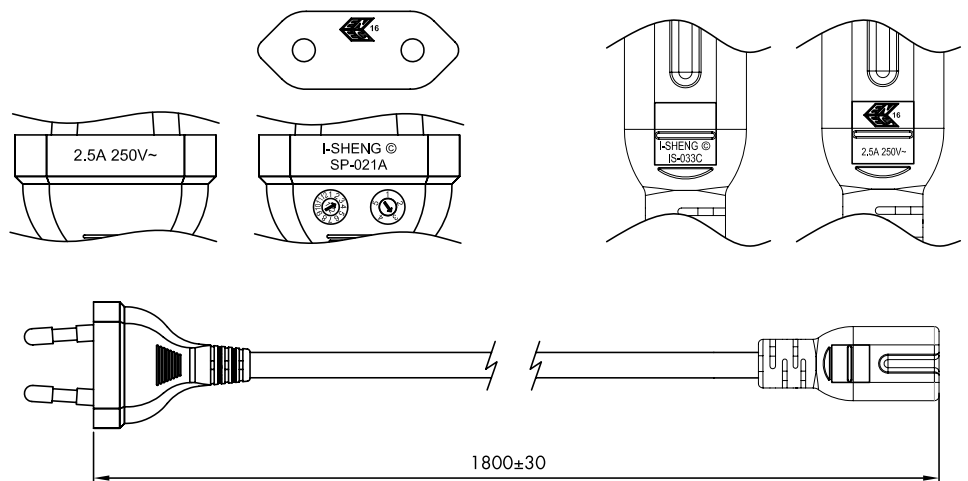
### Features:

- » Euro plug (CEE 7/16) to IEC 60320 C7 socket
- » Cable type: H03VVH2-F, 2x 0.75 mm<sup>2</sup>
- » Suitable for 230 V, 2.5 A, 575 W
- » VDE approved
- » Length: 1.8 m



Art-No.	Color	EAN Code
CP092	Black	4260113563724
CP092W	White	4052792061925

### Technical Drawing:



### Package Content:

- » 1x Power Cable

### Package Information:

- » Packing Dimension: 260 x 120 x 30 mm
- » Packing Weight: 0.08 kg
- » Carton Dimension: 546 x 355 x 197 mm
- » Carton Q'ty: 175 pcs
- » Carton Weight: 15.5 kg



\*The specifications and pictures are subject to change without prior notice.  
\*All trade names referenced are the registered trademarks of their respective owners.

Made in China