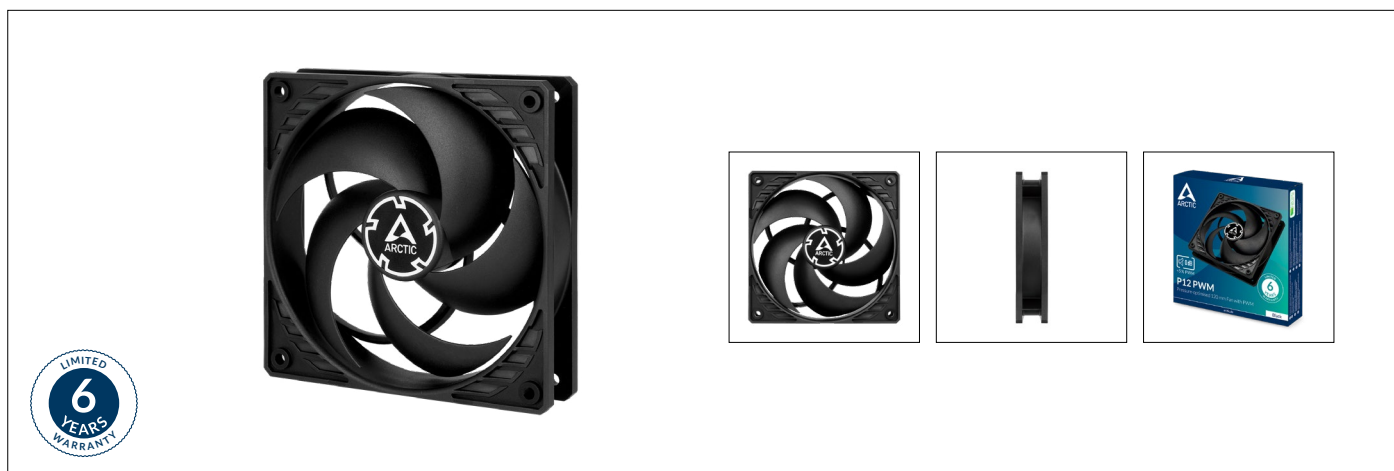


P12 PWM

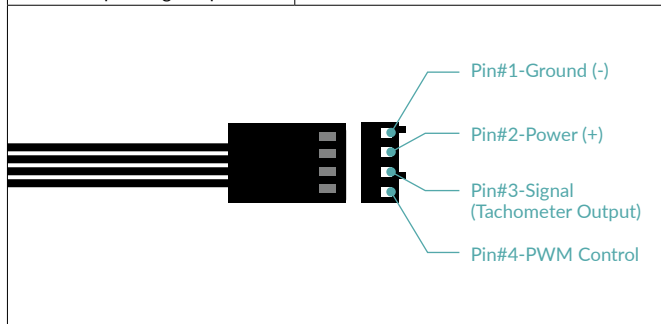


120 mm PWM Fan



Fan Specifications

Dimensions	120 (L) x 120 (W) x 25 (H) mm
Weight	139 g
Speed	200-1800 rpm, 0 rpm below 5% PWM
rpm Control	Pulse Width Modulation - PWM
Static Pressure	2.20 mmH ₂ O
Airflow	56,3 cfm 95,70 m ³ /h
Bearing	Fluid Dynamic Bearing
Cable Length	400 mm
Connector	4-Pin Connector
Current Voltage	0.1 A 12 V DC
Starting Voltage	3.9 V DC
Noise Level	0.3 Sone
Ambient Operating Temperature	0-40 °C

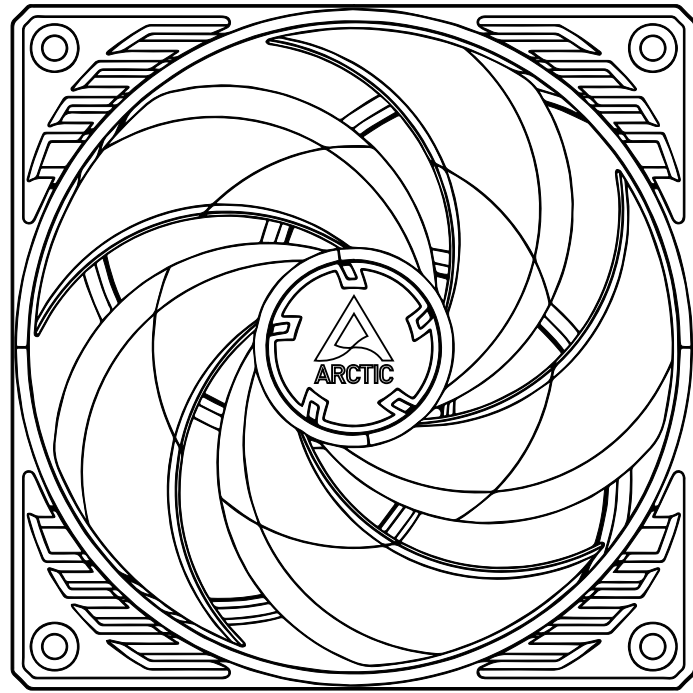


Shipping Information Single Fan - Black

Box Dimensions	123 (L) x 123 (W) x 27 (H) mm
Gross Weight	170 g
SKU	ACFAN00119A
EAN	4895213701389
UPC	872767009332
Box Content	P12 PWM x 1 Mounting Screws x 4

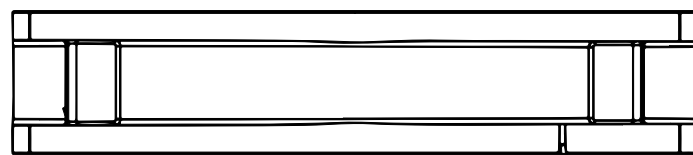
P12 PWM

120 mm PWM Fan



120 mm

120 mm



25 mm



All materials are compatible with RoHS requirements.

MORE INFORMATION



MANUALS

