

Best connectivity



# LogiLink®

## Ultra Power AA Alkaline Battery

LR6 Mignon 1.5V

Art. No.: LR6B4  
LR6F8

The LogiLink Ultra Power Alkaline batteries are perfect for MP3 players, cameras, toys or other household device with reliable and long lasting energy.

### Features:

- » Alkaline technology ensures power for high drain devices
- » 0% Mercury and Cadmium, free from harmful heavy metals
- » Battery remains fresh for use for up to 5 years
- » LogiLink offers a range of most frequently used batteries (AA/AAA/C/D/3V/9V) in different packaging variations to meet your needs



Art-No.	Pack	EAN Code
LR6B4	4pcs	4052792046915
LR6F8	8pcs	4052792046922



LR6F8 (8pcs)

### Specification:

Reference IEC	LR6
Also Know As	AA/E91/4006/AM3 (JIS)
Voltage	1.5V
Capacity	1700mAh
Chemistry Composition	Zinc, EMD, Potassium hydroxide, Graphite
Dimension	Ø14.5 x 50.5mm
Weight	22.5g



LR6B4 (4pcs)



\* The specifications and pictures are subject to change without notice.  
\* All trade names referenced are the registered trademark of their respective owners.

Made in China

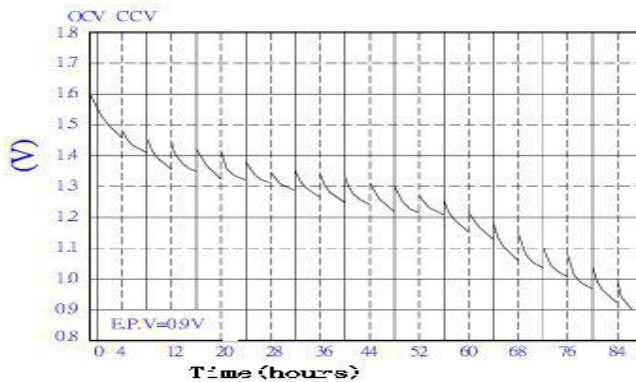
# LogiLink®

## Ultra Power AA Alkaline Battery LR6 Mignon 1.5V

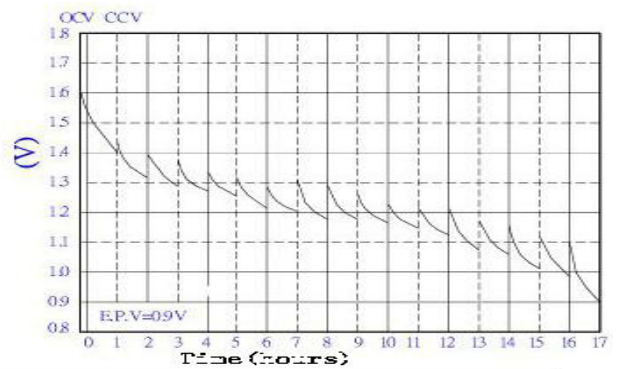
Art. No.: LR6B4  
LR6F8



### Discharge Curve:



Test Condition: Load Resistor 43Ω, 4h/d, 20°C±2°C and 60±15%RH



Test Condition: Load Resistor 10Ω, 1h/d, 20°C±2°C and 60±15%RH

### Warning

- \*Not Rechargeable.
- \*Do not put in fire.
- \*Do not open.
- \*Please remove empty batteries.
- \*Insert batteries in correct way (+/-).

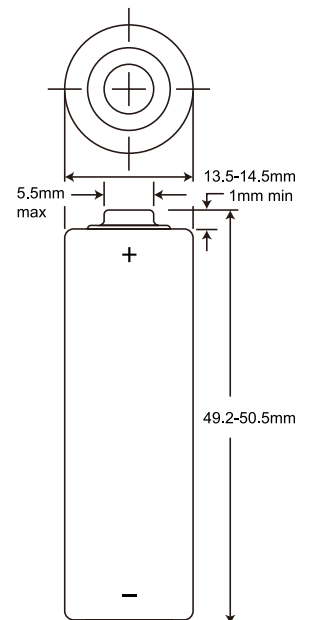
\*Delivery Capacity is dependent on the applied load, operating temperature and cut-off voltage. Please refer to the charts and discharge data shown for examples of the energy/service life that the battery will provide for various load conditions.

### Package Content:

» 1 x AA Batteries pack

### Package Information:

Art-No.	Packing Dimension	Packing Weight	Carton Dimension	Carton Q'ty	Carton Weight
LR6B4	117 x 85 x 14.5mm	0.1kg	275 x 260 x 195mm	120pcs	11.32kg
LR6F8	112 x 49 x 14.5mm	0.19kg	250 x 238 x 130mm	60pcs	10.72kg



\* The specifications and pictures are subject to change without notice.  
\*All trade names referenced are the registered trademark of their respective owners.

Made in China

Best Connectivity