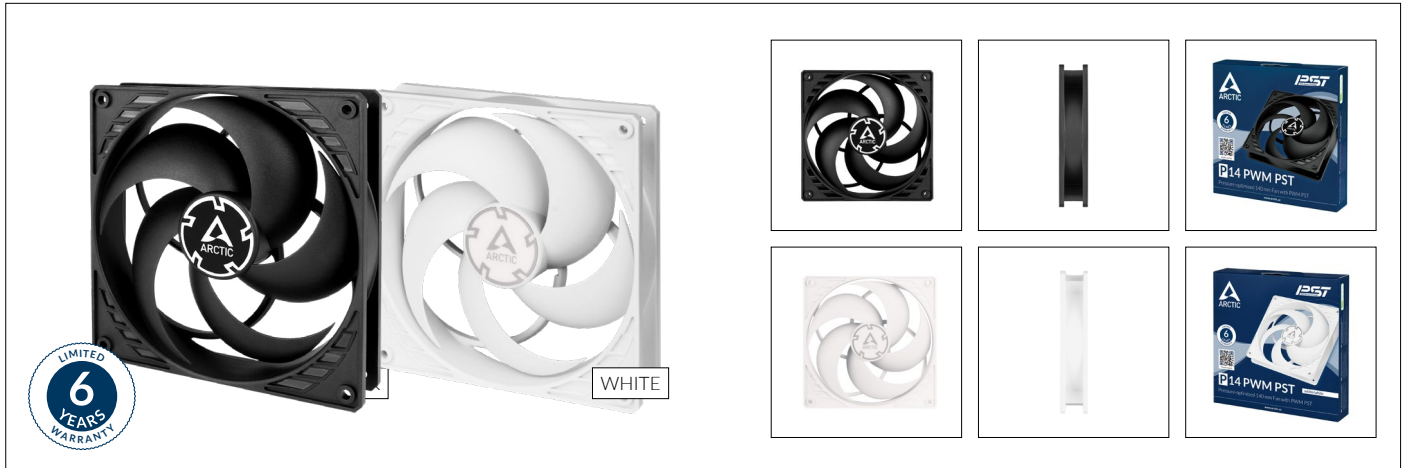


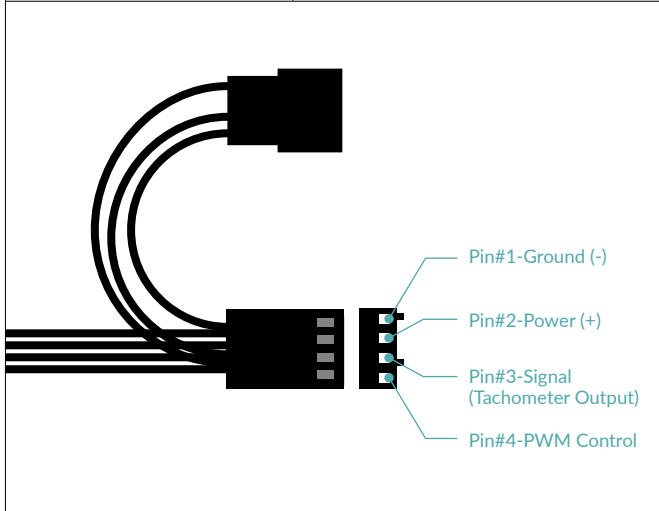
P14 PWM PST

140 mm PWM Fan with Cable Splitter



Fan Specifications

Dimensions	140 (L) x 140 (W) x 27 (H) mm
Weight	194 g
Speed	200-1700 rpm, 0 rpm <5% PWM
rpm Control	Pulse Width Modulation – PWM
Static Pressure	2.40 mmH ₂ O
Airflow	72.8 cfm 123.80 m ³ /h
Bearing	Fluid Dynamic Bearing
Cable Length	400mm
Connector	4-Pin Connector + 4-Pin Plug
Current Voltage	0.12 A 12 V DC
Starting Voltage	3.9 V DC
Noise Level	0.3 Sone
Ambient Operating Temperature	0-40 °C



Shipping Information Single Fan – Black

Box Dimensions	143 (L) x 143 (W) x 29 (H) mm
Gross Weight	235 g
SKU	ACFAN00125A
EAN	4895213701563
UPC	872767009509
Box Content	P14 PWM PST x 1 Mounting Screws x 4

Shipping Information Single Fan – White

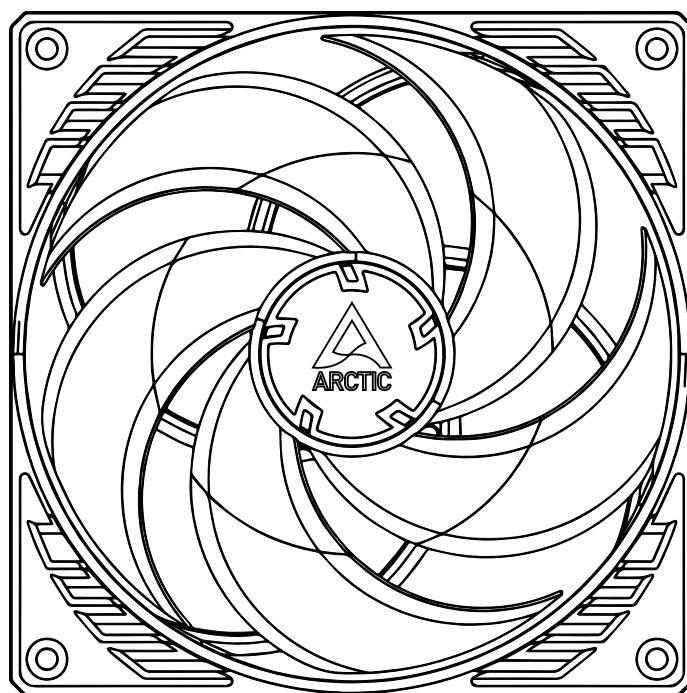
Box Dimensions	143 (L) x 143 (W) x 29 (H) mm
Gross Weight	235 g
SKU	ACFAN00197A
EAN	4895213703116
UPC	840033400916
Box Content	P14 PWM PST x 1 Mounting Screws x 4

Shipping Information Pack of 5 Value Pack – Black

Box Dimensions	145 (L) x 139 (W) x 146 (H) mm
Gross Weight	960 g
SKU	ACFAN00138A
EAN	4895213701600
UPC	872767009547
Box Content	P14 PWM PST x 5 Mounting Screws x 20

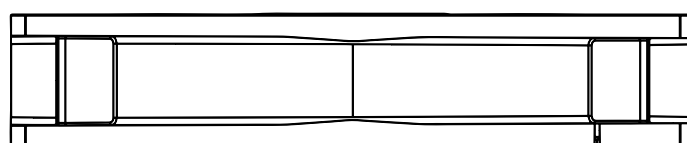
P14 PWM PST

140 mm PWM Fan with Cable Splitter



140 mm

140 mm



27 mm



All materials are compatible with RoHS requirements.

MORE INFORMATION



MANUALS

