

# Alpine 23 CO

Compact AMD CPU Cooler for Continuous Operation



## General Specifications

|                     |                                |
|---------------------|--------------------------------|
| Compatibility       | AMD® AM5, AM4                  |
| Heatsink            | Radial Heatsink                |
| Fan Diameter        | 90 mm                          |
| TIM                 | MX-2 pre-applied               |
| Noise Level         | 0.3 Sone                       |
| Dimensions          | 121 (L) x 98.6 (W) x 65 (H) mm |
| Installation Height | 65 mm                          |
| Weight              | 275.5 g                        |

## Heatsink Specifications

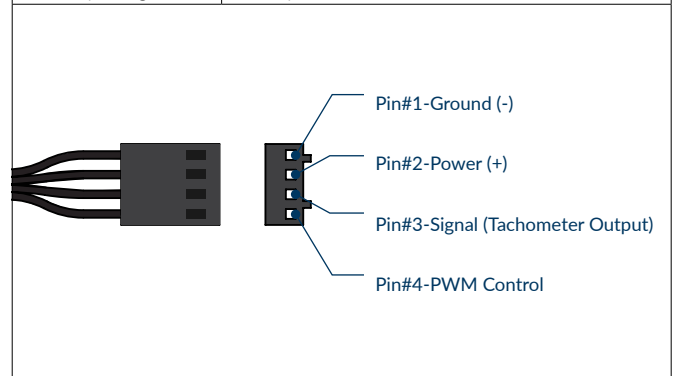
|                |                  |
|----------------|------------------|
| Outer Diameter | 93.4 mm          |
| Core Diameter  | 32 mm            |
| Number of Fins | 50 Y-shaped fins |
| Material       | Aluminium        |

## Shipping Information

|                |                               |
|----------------|-------------------------------|
| Box Dimensions | 111 (L) x 111 (W) x 76 (H) mm |
| Gross Weight   | 338 g                         |
| SKU            | ACALP00036A                   |
| EAN            | 4895213702836                 |
| UPC            | 840033400633                  |

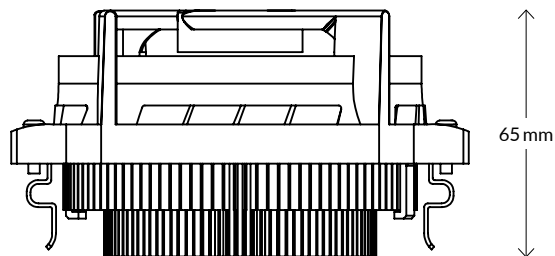
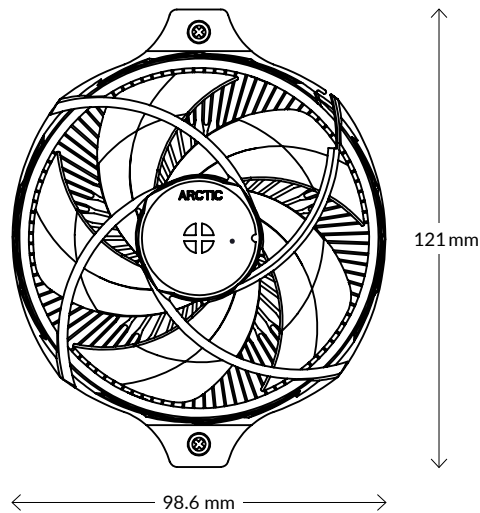
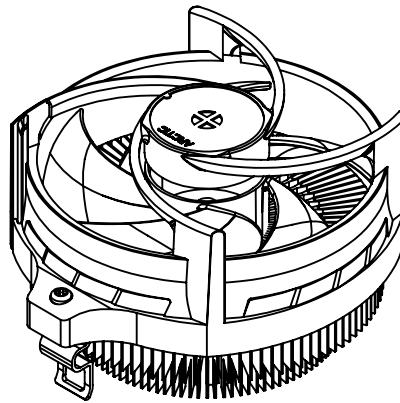
## Fan Specifications

|                   |                        |
|-------------------|------------------------|
| Speed             | 200–2700 rpm           |
| Speed Control     | Pulse Width Modulation |
| Connector         | 4-Pin Connector        |
| Bearing           | Dual Ball Bearing      |
| Current   Voltage | 0.09 A   12 V          |



# Alpine 23 CO

Compact AMD CPU Cooler for Continuous Operation



All materials are compatible with RoHS requirements.

MORE INFORMATION



MANUALS

