



## Cat.6A Wall Outlet STP

### Technical Features

RJ45 Wall Outlet Category 6A 500 MHz

2x shielded RJ45 jacks 45° angled

ISO/IEC 11801 and TIA/EIA 568C.2

Horizontal cable management, AWG 22 - 24

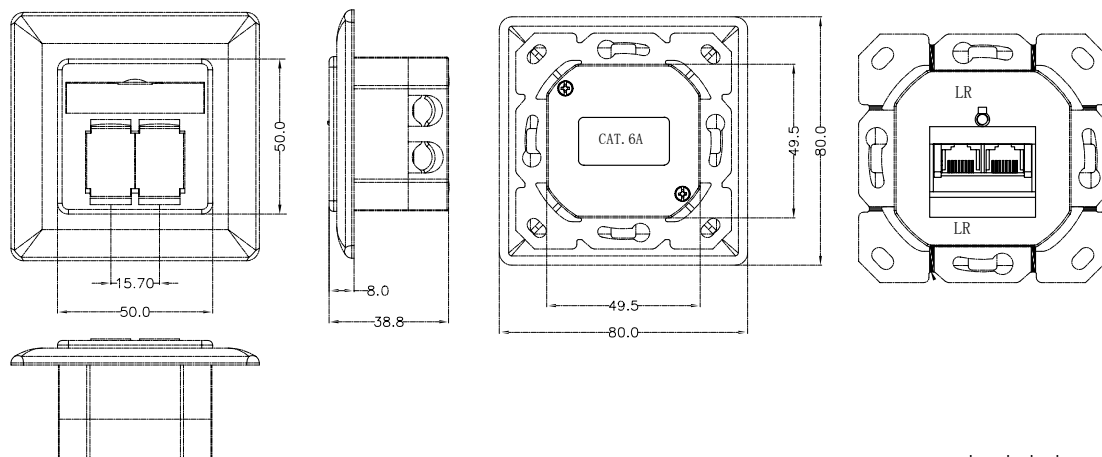
For Flush and Surface Mounting (UP+ AP)

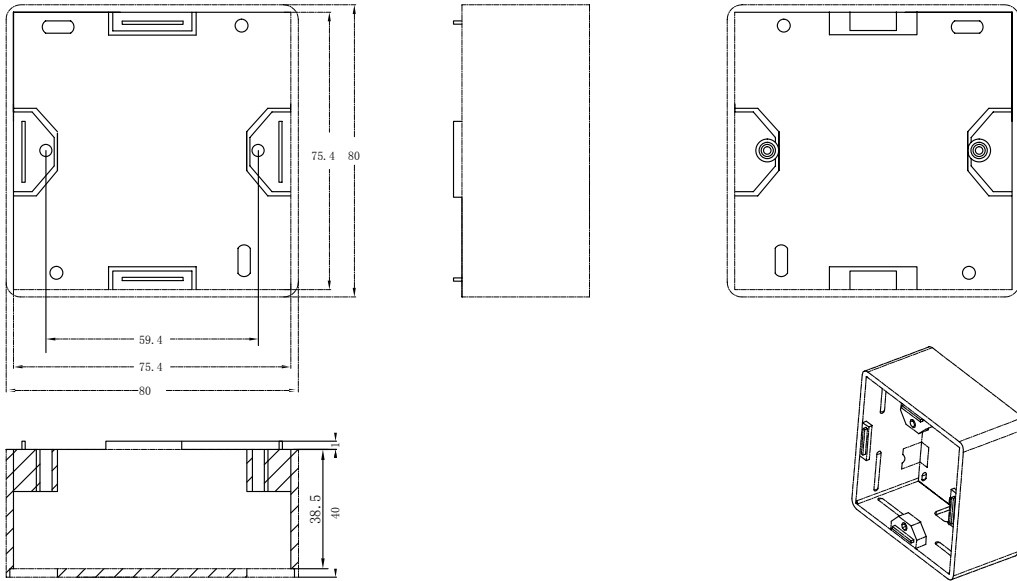
Supports PoE, PoE+ and PoE++

Art no.	Color	EAN Code
NP0124	RAL9010 Pure White	4052792040234
NP0126	RAL9003 Signal White	4052792040227



### Technical Drawings





## Package Content

Cat.6A Wall Outlet x 1

## Packaging Information

Packing Dimension	85 x 85 x 65mm
Packing Weight	0.248kg
Carton Dimension	360 x 360 x 260mm
Carton Q'ty	64pcs
Carton Weight	16.9kg

